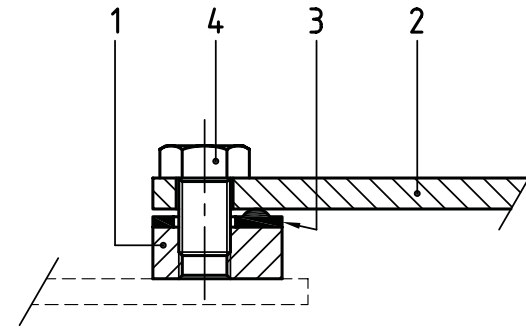
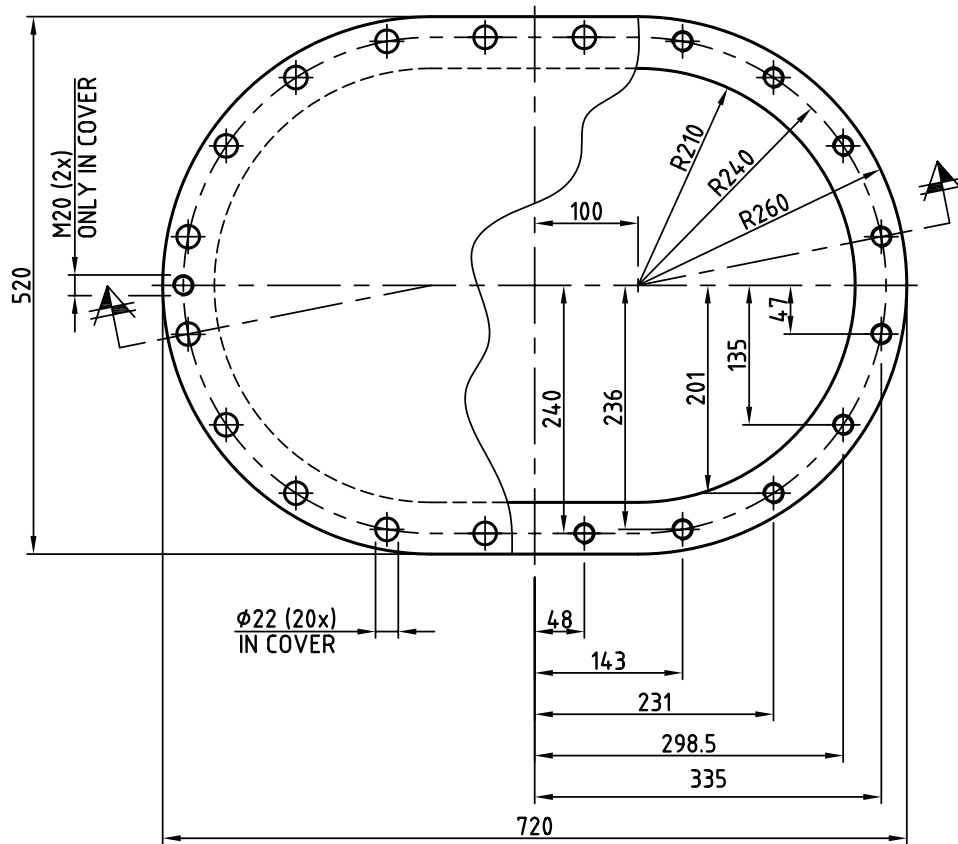
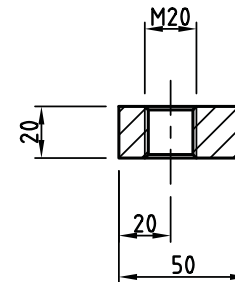


**TOP VIEW**

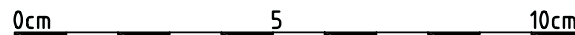
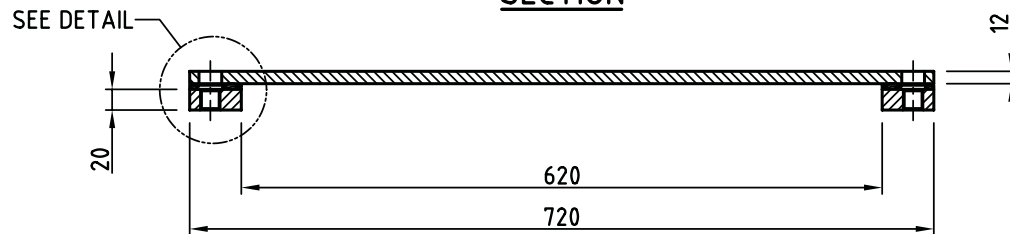


**DETAIL**



PART DATA	
Part no.	51.ST.511.03
Number per component	1
Material	STEEL GRADE A Grade A - LRS
Belonging to drawing	-
Remarks	Sharp edges to be removed

**SECTION**



4	20	Bolt M20x30	Steel 8.8	DIN 933	Hot dipped galv.
3	1	Seal	Nitril	DIN 83403-A	65±5° Shore A
2	1	Manhole cover	Steel Grade A		Part no. 51.ST.511.53
1	1	Manhole ring	Steel Grade A		Part no. 51.ST.511.63
Pos.	Qty.	Description	Material	Type/Drw. No.	Remarks

Format	STEEL MANHOLE C/O 600x400				er:	Rev.
A3	TYPE A - OVAL				511.03	B

**THORMARINE**

Drawn : BCS  
Date : 12-02-2005  
Scale : 1:5 / 1:2