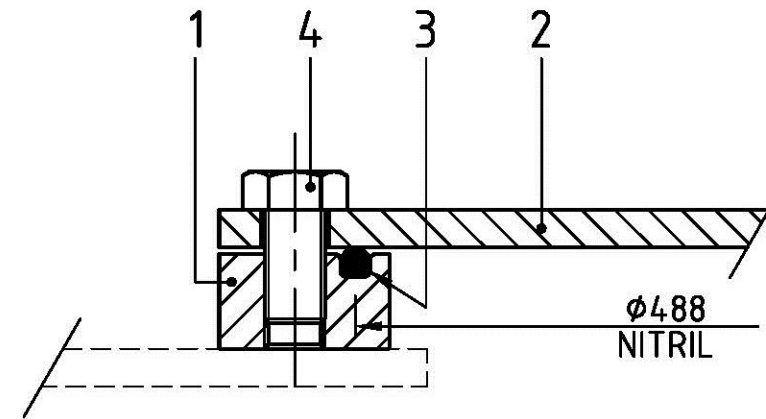
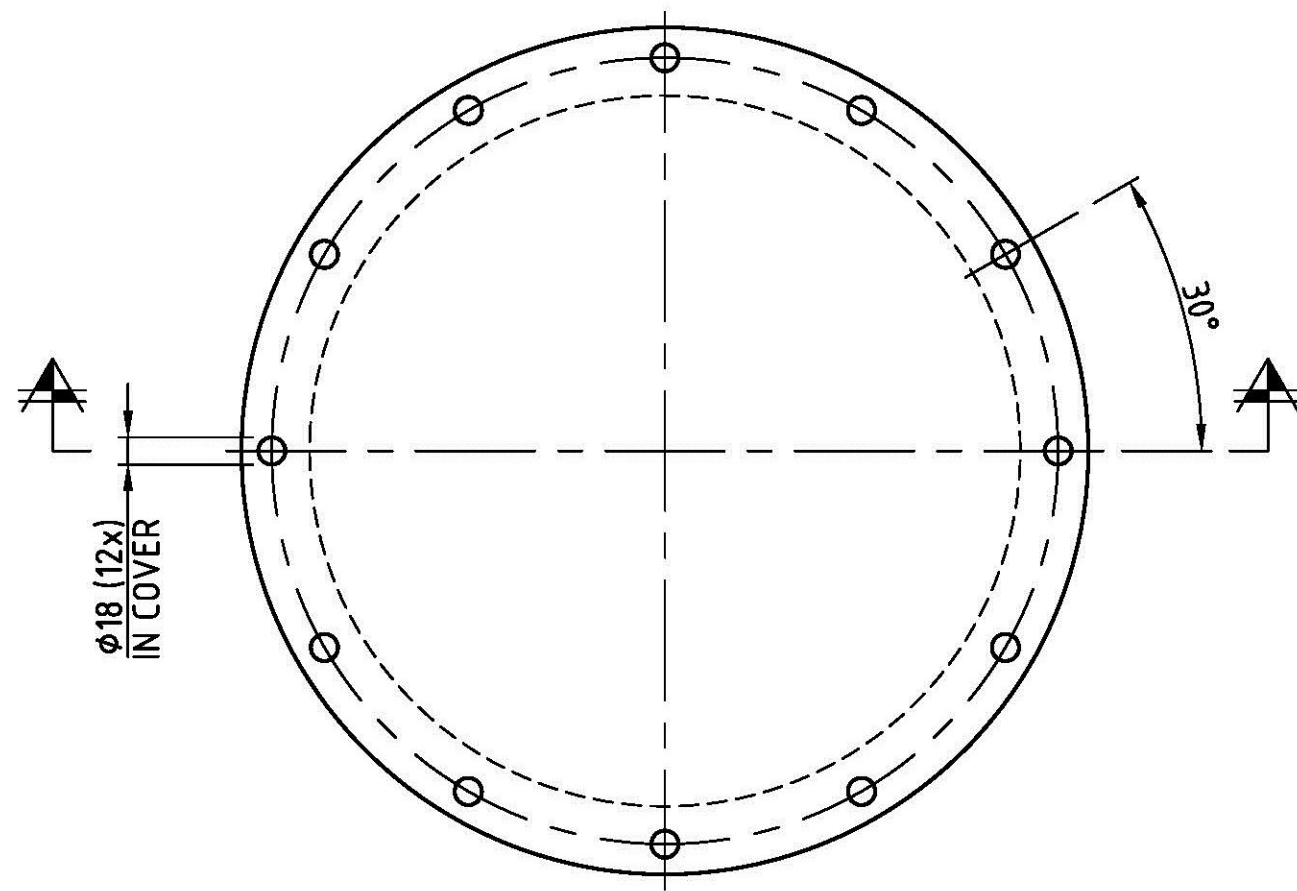
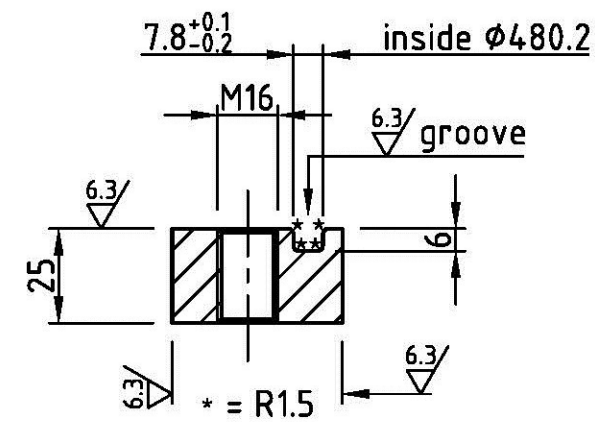


TOP VIEW

✓ (6.3)

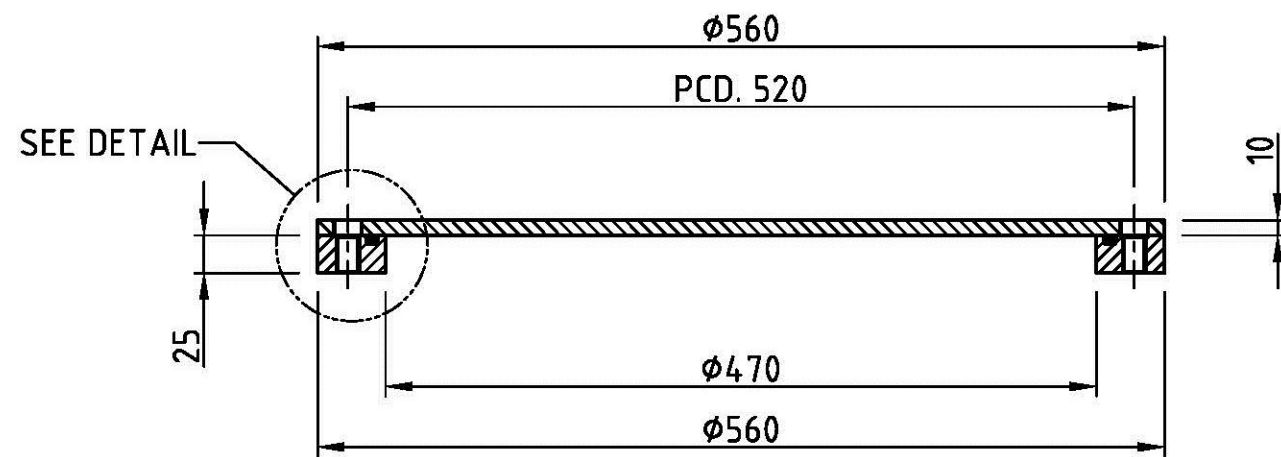


DETAIL



PART DATA	
Part no.	53.SS 533.02
Number per component	1
Material	Stainless Steel 1.4404
Belonging to drawing	-
Remarks	Sharp edges to be removed

SECTION



0cm 5 10cm

4	12	Bolt M16x30	St.St. A4-80	DIN 933	
3	1	Seal φ8	Nitril		NBR 70° Shore A
2	1	Manhole cover	AISI 316L		
1	1	Manhole ring	AISI 316L		
Pos.	Qty.	Description	Material	Type/Drw. No.	Remarks
Format	Subject: STAINLESS STEEL MANHOLE C/O φ450				Drawingnumber:
A3	Component: TYPE C - 12 BOLTS				533.02
					Rev. -
					Drawn : BCS
					Date : 20-07-2005
					Scale : 1:5 / 1:2

THORMARINE