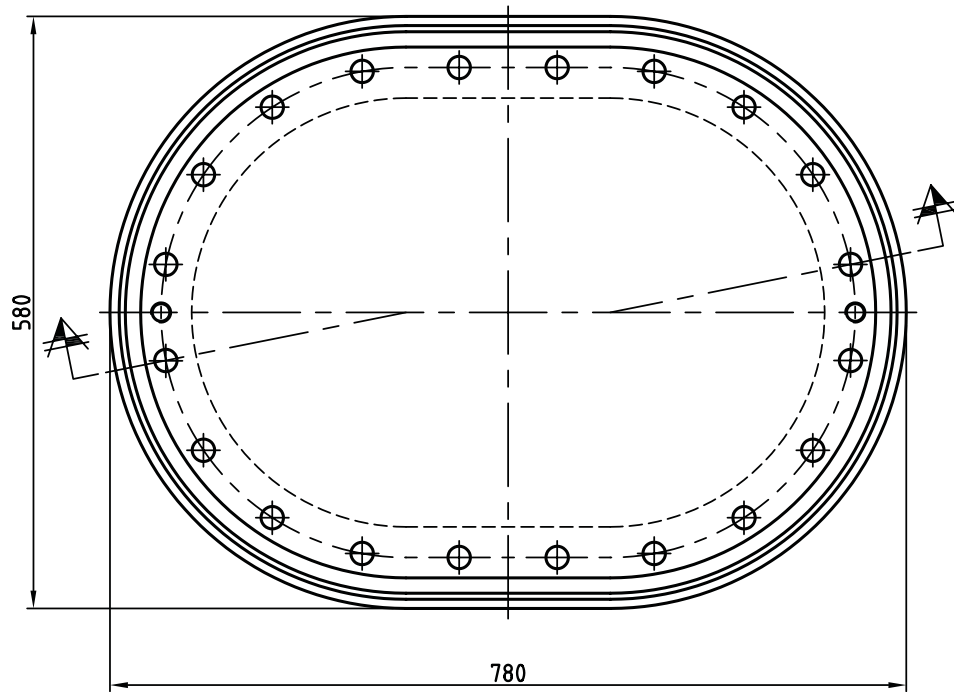
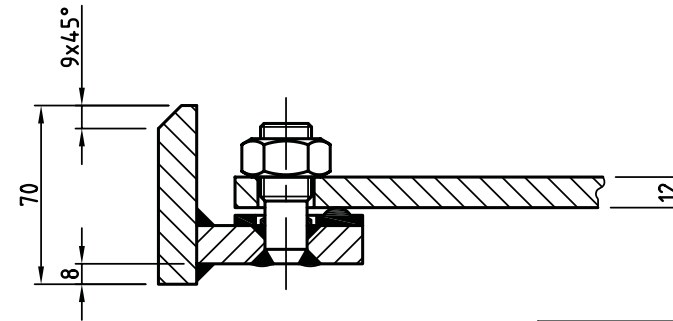


TOP VIEW

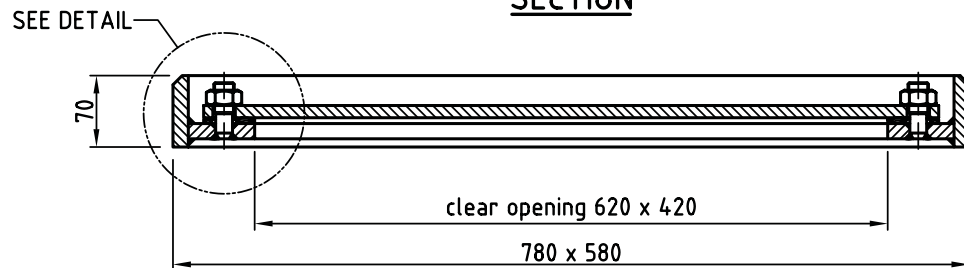


DETAIL



| PART DATA            |                                |
|----------------------|--------------------------------|
| Part no.             | 51.ST.511.04                   |
| Number per component | 1                              |
| Material             | STEEL GRADE A<br>Grade A - LRS |
| Belonging to drawing | -                              |
| Remarks              | Sharp edges to be removed      |

SECTION



NOTE: FOR DIMENSIONS COVER AND HOLE PATTERN SEE DRAWING 511.03

| 5    | 1    | Seal          | Nitril          | DIN 83403-A   | 65±5° Shore A         |
|------|------|---------------|-----------------|---------------|-----------------------|
| 4    | 20   | Nut           | Stainless Steel | DIN934 A4-80  |                       |
| 3    | 20   | Stud bolt     | Stainless Steel | DIN933 A4-70  | Made out of M20x60    |
| 2    | 1    | Manhole cover | Steel Grade A   | 511.03        | Part no. 51.ST.511.53 |
| 1    | 1    | Manhole ring  | Steel Grade A   | 511.64        | Part no. 51.ST.511.64 |
| Pos. | Qty. | Description   | Material        | Type/Drw. No. | Remarks               |

|        |                                    |                |      |
|--------|------------------------------------|----------------|------|
| Format | Subject: STEEL MANHOLE C/O 620x420 | Drawingnumber: | Rev. |
| A3     | Component: TYPE D FLUSH - OVAL     | 511.06         | C    |

**THORMARINE**

Drawn : BCS  
Date : 12-02-2005  
Scale : 1:5 / 1:2

