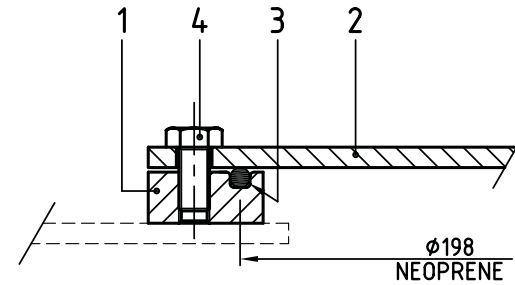
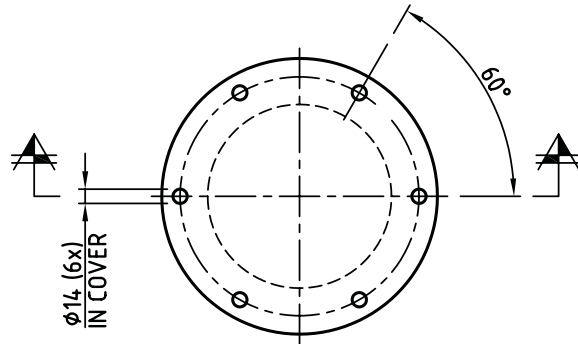
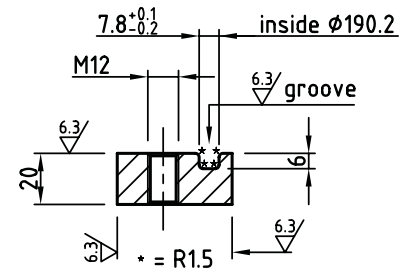


√ (6.3)

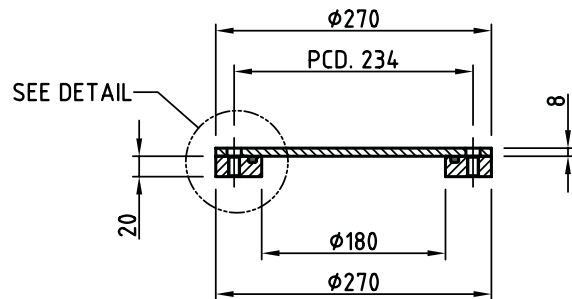
TOP VIEW



DETAIL



SECTION

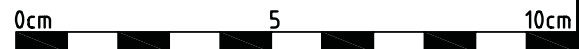


PART DATA	
Part no.	51.ST.510.01
Number per component	1
Material	STEEL GRADE A Grade A - LRS
Belonging to drawing	-
Remarks	Sharp edges to be removed

Pos.	Qty.	Description	Material	Type/Drw. No.	Remarks
4	6	Bolt M12x25	Steel 8.8	DIN 933	Hot dipped galv.
3	1	Seal φ8	Nitril		NBR 70° Shore A
2	1	Manhole cover	Steel Grade A		
1	1	Manhole ring	Steel Grade A		

Format	Subject: STEEL HANDHOLE C/O φ160	Drawingnumber:	Rev.
A3	Component: TYPE R - 6 BOLTS	510.01	B

THORMARINE



Drawn : BCS
Date : 12-02-2005
Scale : 1:5 / 1:2